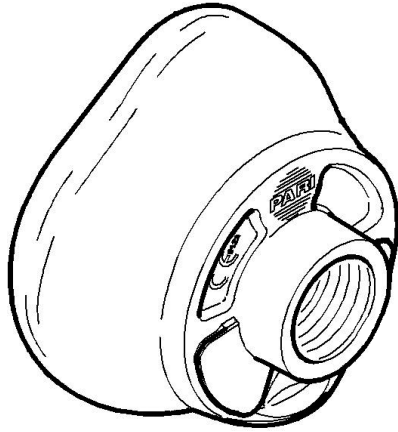


PARI SMARTMASK® Kids

For use only with
eFlow® Technology Devices



Part No. 078F5000



PATENT NO:
7,255,106B2

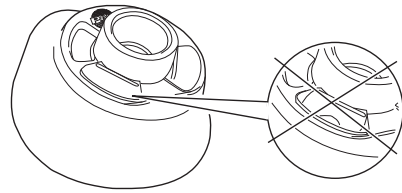


Fig. A

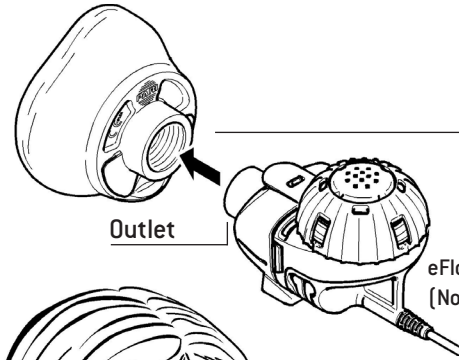


Fig. B

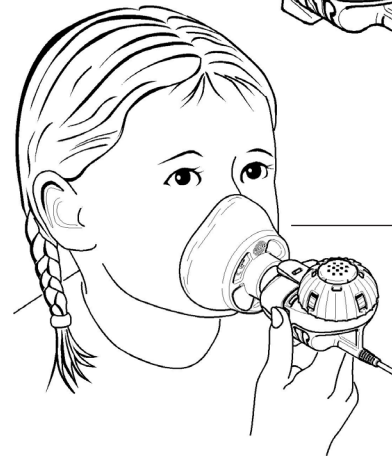


Fig. C

⚠ WARNING

1. Read these Instructions For Use before using this mask with an eFlow Technology Handset. Keep these Instructions For Use for future reference.
2. The PARI SMARTMASK® (SMARTMASK) Kids must always be used as a component of, or an accessory to the eFlow Technology Nebulizer Handset. Accordingly, the Instructions For Use for this product must also be followed. In particular, all cleaning and disinfecting instructions for the eFlow Technology Handset also apply for the SMARTMASK Kids.

Intended use

The SMARTMASK Kids is an accessory for children ages 2 and older who are unable or unwilling to inhale through a mouthpiece.

⚠ WARNING

To avoid the risk of the child not getting enough oxygen, this mask must not be used for children less than 2 years of age.

Using the mask

Figure A: Make sure that the mask valves are lying flush against the outside of the openings. They must not be pressed inwards under any circumstances.

Figure B: Attach the mask firmly to the eFlow Technology Handset outlet.

Figure C: For the most efficient treatment, hold the Handset upright as shown.

⚠ CAUTION

1. The SMARTMASK Kids must not be used with children who are lying down or asleep.
2. To avoid aerosol losses, make sure that the mask seals tightly against the face.

This product can be used only with the following devices:

1. TRIO® Electronic Nebulizer
2. ALTERA® Nebulizer System
3. eRapid® Nebulizer System
4. Investigational eFlow® Nebulizer System

Manufactured In Germany for: PARI Respiratory Equipment, Inc.
2412 PARI Way
Midlothian, Virginia 23112 USA

Customer Support: 1-866-335-6943
www.pari.com