

II. CLEANING THE PARI FILTER/VALVE SET

⚠ WARNING

To reduce the risk of infection, illness, or injury from contamination, you must thoroughly clean all parts of the nebulizer as instructed in the nebulizer IFU.

1. Remove the PARI filter/valve set from the nebulizer and disassemble all parts. Open the filter and remove filter pad. Discard filter pad.
2. Wash all parts of the PARI filter/valve set with warm water and liquid dish soap.
3. Rinse thoroughly with warm water and shake out water.
4. Air dry or hand dry PARI filter/valve set parts on a clean, lint free cloth.
5. You can also wash all parts of the PARI filter/valve set in a dishwasher. Place the PARI filter/valve set parts in a dishwasher basket, then place on the top rack of the dishwasher. Remove and dry the parts when the cycle is complete.

III. DISINFECTING AND STERILIZING THE PARI FILTER/VALVE SET

⚠ WARNING: TO REDUCE RISK OF INFECTION:

1. PARI filter/valve set for single patient use (one person) only. Do not share with other patients.
2. You must regularly disinfect or sterilize the PARI filter/valve set between treatments. Failure to do so could lead to serious or fatal illness.

For patients with Cystic Fibrosis, the CF Foundation recommends boiling for a full 5 minutes to disinfect.

1. Clean the PARI filter/valve set as described in section II. Every other treatment day, soak all parts of the PARI filter/valve set (except filter pad) in a solution of 1 part distilled white vinegar and 3 parts hot tap water for 1 hour. You can substitute respiratory equipment disinfectants (like Control III®) for distilled white vinegar (follow manufacturer's instructions for mixing). Rinse all parts of the PARI filter/valve set thoroughly with warm tap water and dry with a clean, lint-free cloth. Discard the vinegar solution when disinfection is complete.
2. The PARI filter/valve set parts may also be disinfected by boiling them in water for a full 5 minutes. Hospitals and clinics can sterilize the PARI filter/valve set parts by autoclaving (a maximum of 277°F), follow autoclave manufacturer's instructions. Dry parts on a clean, lint-free cloth.

CONTROL III® IS A REGISTERED TRADEMARK OF MARIL PRODUCTS, INC



PARI Respiratory Equipment, Inc.

2412 PARI Way, Midlothian, VA 23112 USA

Tel: 800.FAST.NEB (327.8632) and 804.253.7274

Fax: 804.253.0246 | Product.Info@PARI.com

www.PARI.com

© 2016 PARI Respiratory Equipment, Inc. DS-41-05 REV F 4-16

PARI FILTER/VALVE SET

INSTRUCTIONS FOR USE

FOR SINGLE PATIENT USE (ONE PERSON) ONLY

**6 MONTH
WARRANTY!**

PART # 041F05

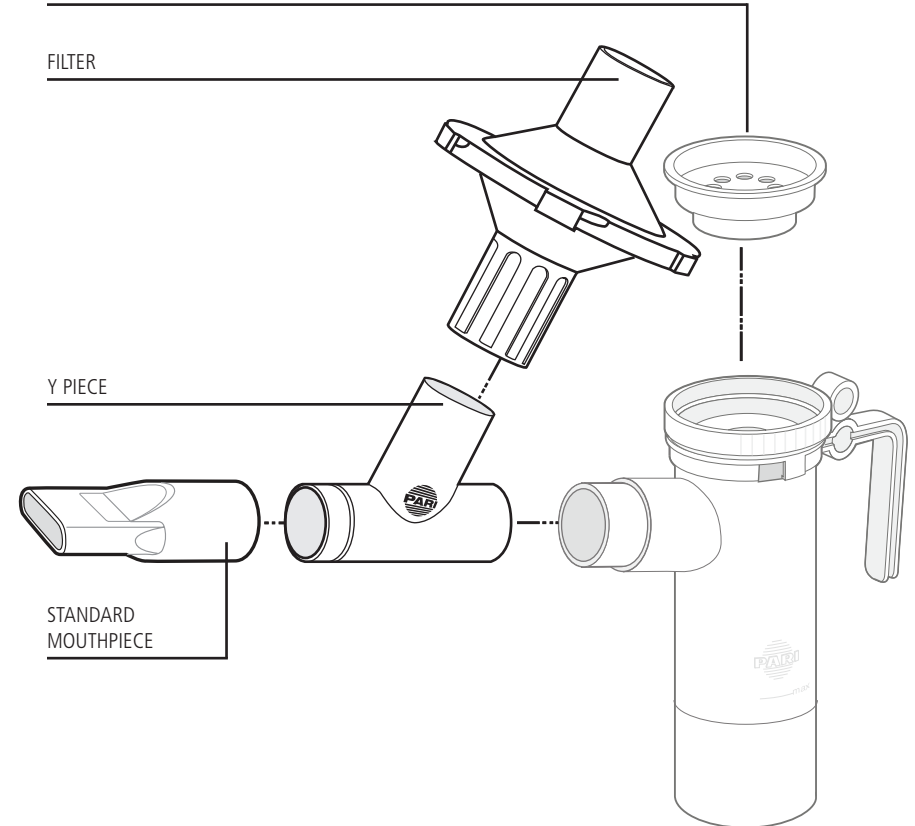


INSPIRATORY VALVE CAP INCLUDED WITH LC PLUS® NEBULIZER

FILTER

Y PIECE

STANDARD
MOUTHPIECE



I. SET-UP

1. Open package and lay out all parts from the PARI Filter/Valve Set. This set is intended for use with the PARI LC PLUS® Nebulizer. If using the PARI LC or PARI LCD Nebulizer, you will also need the inspiratory valve cap, part # 041F0510.
2. Remove the mouthpiece from the PARI LC PLUS®, LC or LCD Nebulizer and store in a safe place. Attach Y piece to the nebulizer outlet (Fig. 1). Then, attach enclosed standard mouthpiece to the Y piece as shown (Fig.2).
3. Attach the inspiratory valve cap to the top of the nebulizer (Fig. 3).
4. The filter is actually 2 halves that lock together by twisting clockwise. To open the filter, twist the top half counter-clockwise. Open the filter and make sure that a new filter pad is enclosed before beginning the treatment. Once the new filter is enclosed, re-assemble both halves of the filter (Fig. 4).
5. Attach the filter to the Y piece. The bottom of the filter has ridges on the outlet opening. This opening will fit over the opening on the Y piece (Fig. 5).
6. Follow the PARI Nebulizer Instructions For Use to add medication and begin the treatment.
7. After the treatment, discard the filter pad (Fig. 6) before cleaning, disinfection and sterilization. (See Sections II and III).

FIG. 1

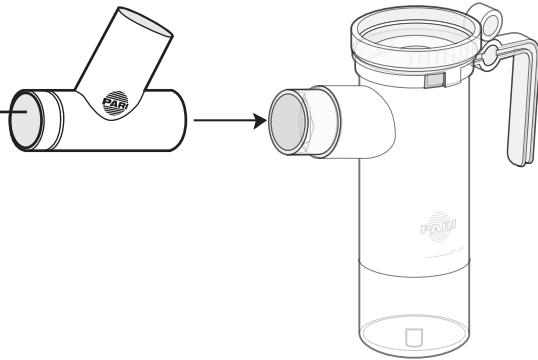


FIG. 2

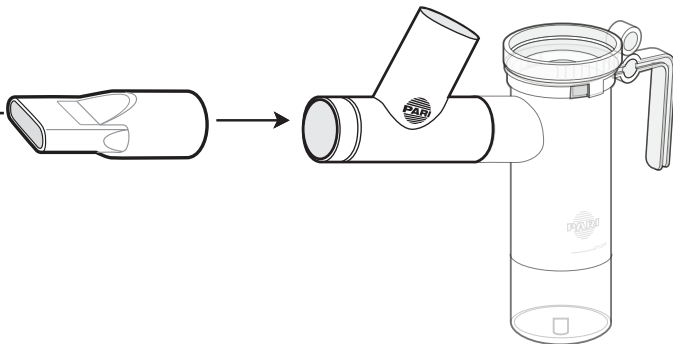


FIG. 3

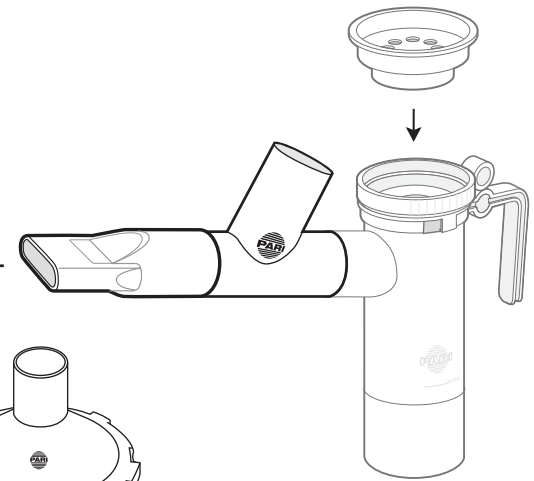


FIG. 4

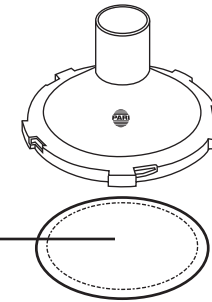


FIG. 5

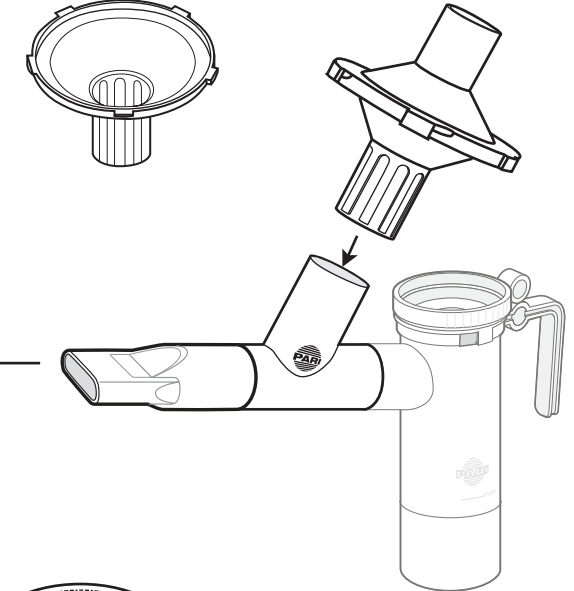


FIG. 6

